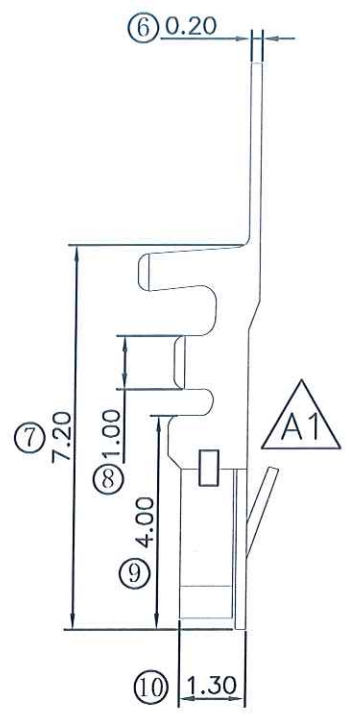
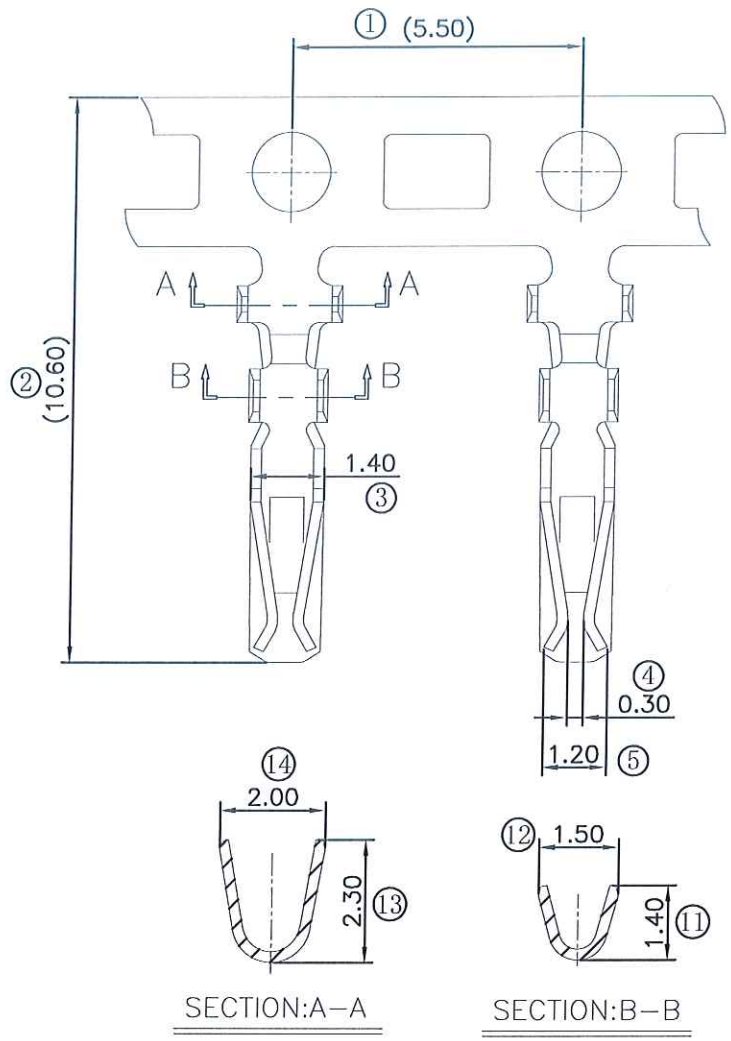


The product using material and processing must conform to the "WI-PZ-001" HSF technical standard control requirements

RoHS



NOTE:  
 1.MATERIAL SPECIFICATION:  
 1-1.TERMINAL: PHOSPHOR BRONZE  
 2.PLATING SPECIFICATION:  
 2-1.TERMINAL:  
 TIN/GOLD FLASH PLATED OVER ALL.  
 3.ELECTRICAL PERFORMANCE:  
 3-1.CURRENT RATING: 3.0A  
 3-2.CONTACT RESISTANCE: 20 mΩ MAX  
 3-3.INSULATION RESISTANCE: 1000MΩ Min  
 3-4.DIELECTRIC WITHSTANDING : 1000V AC  
 4.ENVIRONMENTAL PERFORMANCE:  
 4-1.OPERATING TEMPERATURE: -25°C~+85°C.  
 5.WIRE RANGE: AWG24#-28#  
 6.PACKAGE SPEC : PE BAG  
 7.P/N:

A2009 T F X-X  
 SERIES NO: \_\_\_\_\_ PLATING:  
 C-BRIGHT TIN  
 CONNECTOR: \_\_\_\_\_  
 T-TERMINAL  
 MALE FEMALE: \_\_\_\_\_ METAL:  
 F-FEMALE P-PHOSPHOR BRONZE



SECTION:A-A

SECTION:B-B

REV.	REVISION RECORD	DATE	GENERAL TOLERANCES	SCALE:	NAME	DATE	PART.NO:	DWG.NO:
A0	NEW RELEASE	22.03.19	LINEAR	1:1			A2009TFX-X	ENDE05
A1	UPDATE THE DRAWINGS ACCORDING TO THE ACTUAL ITEM	25.09.26	ANGLES	APPROVED	陈松荣	25.9.26		
			0.0±0.35	CHECK	陈松荣	25.9.26	TITLE:	
			X*REF±6°	DRAWN	黄晓楠	25.9.26	Pitch2.00mm FEMALE Terminal AWG #24 -#28	REV: A1
			UNIT: mm 0.00±0.25					SHEET: 1/2
			SIZE: A4 0.000±0.10					



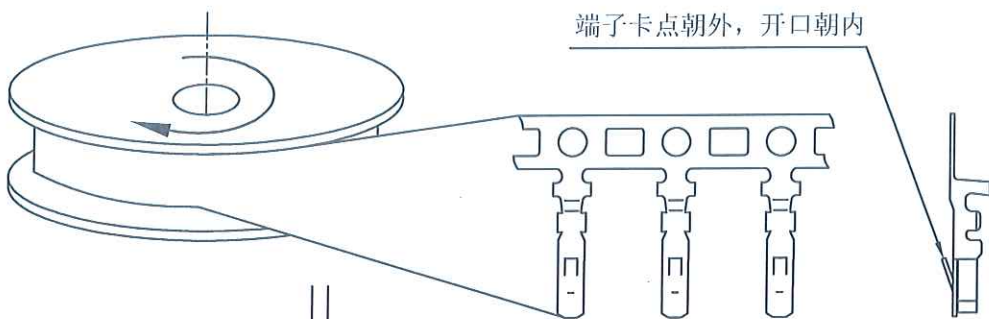
The product using material and processing must conform to the "WI-PZ-001" HSF technical standard control requirements

RoHS

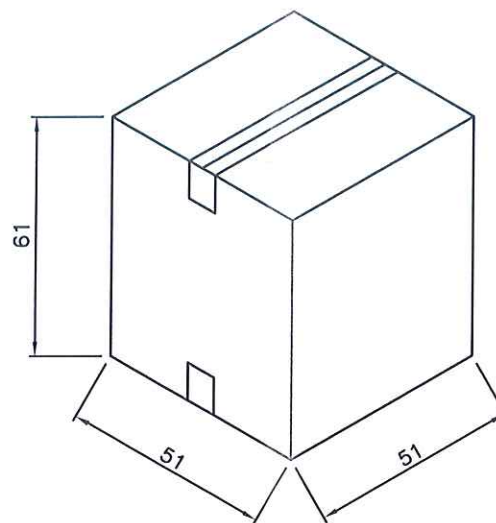
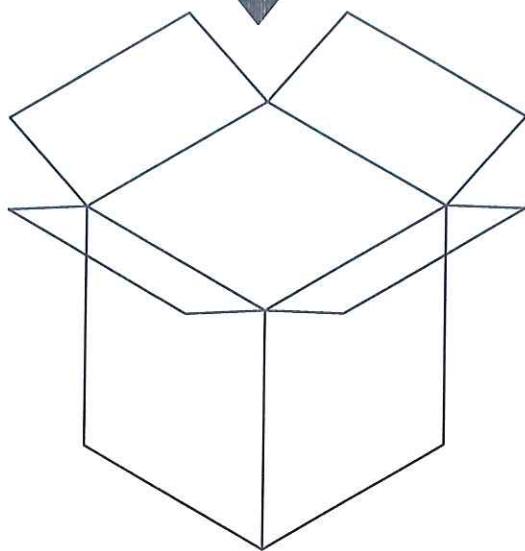
端子卡点朝外，开口朝内

备注:

1. 纸箱装箱以不超过装箱线为准，空余位置用塑料泡沫及保尼龙填充；



PCS/REEL	REEL/CARTON	LARGE SUM(PCS)
14000	29	406000



REV.	REVISION RECORD	DATE	UNIT: mm	GENERAL TOLERANCES		SCALE: 1:1	NAME	DATE	PART.NO: A2009TFX-X	DWG.NO: ENDE05	 WanLian Technology Co., Ltd
A0	NEW RELEASE	22.03.19		LINEAR	ANGLES	APPROVED					
A1	UPDATE THE DRAWINGS ACCORDING TO THE ACTUAL ITEM	25.09.26	0.00±0.25	X'±3'	CHECK	TITLE: Pitch2.00mm FEMALE Terminal AWG #24 -#28	REV: A1	SHEET: 2/2			
			0.000±0.10	X'X' ±2'	DRAWN						