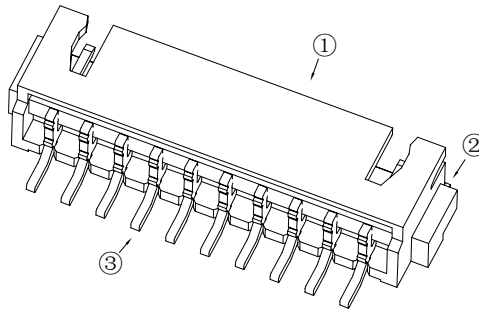
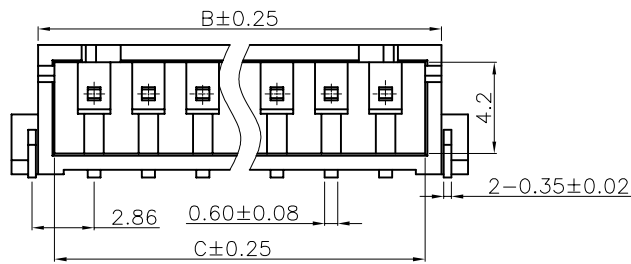
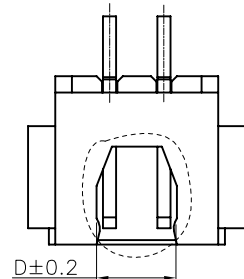
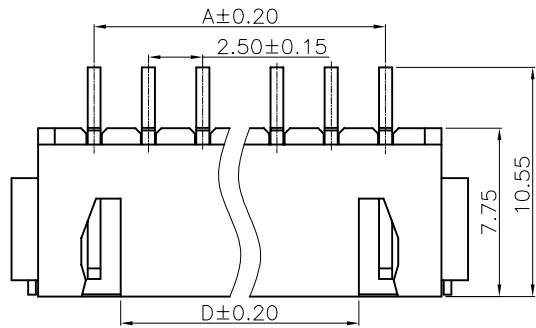


The product using material and processing must conform to the "WI-PZ-001"HSF technical standard control requirements

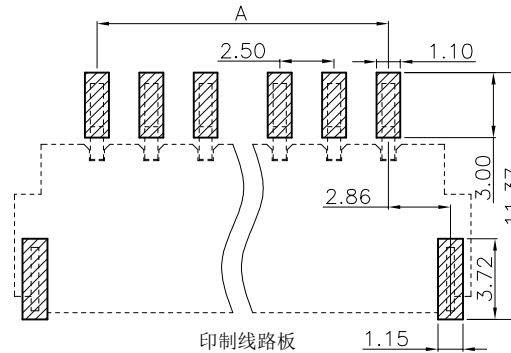
RoHS+HF



- NOTE:
- MATERIAL SPECIFICATION:
 - 1-1.HOUSING:LCP 94V-0
 - 1-2.SOLDER TABS:BRASS
 - 1-3.PIN:BRASS
 - PLATING SPECIFICATION:
 - 2-1.SOLDER TABS:TIN PLATED OVER ALL.
 - 2-2.PIN:TIN PLATED OVER ALL.
 - ELECTRICAL PERFORMANCE:
 - 3-1. RATED CURRENT : 3A AC/DC
 - 3-2.INSULATION RESISTANCE: 1000MΩ MIN
 - CONTACT RESISTANCE : 20mΩ MAX
 - 3-3.WITHSTANDING VOLTAGE:1000V AC/MINUTE
 - ENVIRONMENTAL PERFORMANCE:
 - OPERATING TEMPERATURE: -25°C~+85°C.
 - P/N:



2PIN开口与其它PIN位不同



△ A2501 W 9 1-1 XX 2 X X 0

SERIES NO: _____

CONNECTOR: _____

W-WAFER

ANGLE: _____

9-90°

TYPE: _____

1-TYPE 1

ROW NO: _____

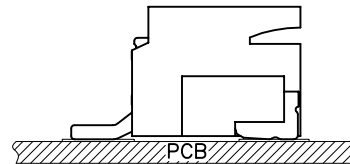
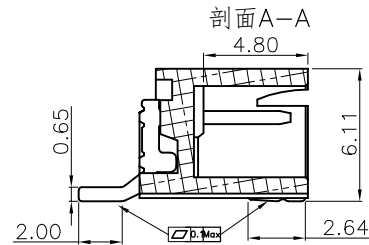
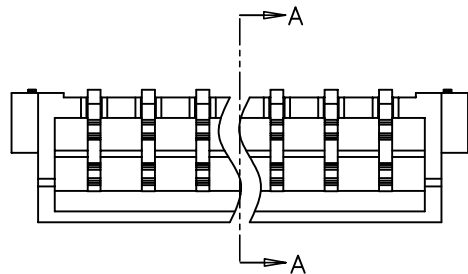
1-SINGLE ROW

COLOR:
A-BLACK
S-NATURE


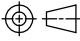
PLATING:
A-ALL AU G/F
C-BRIGHE TIN
D-MATTE Tin

TERMIPOINT:
2-SMT

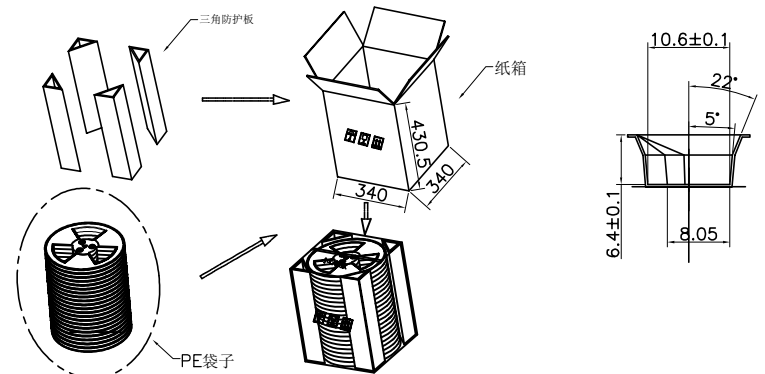
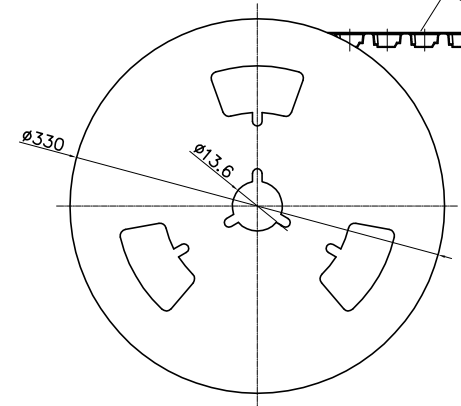
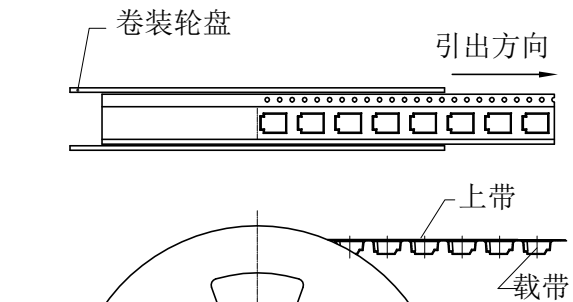
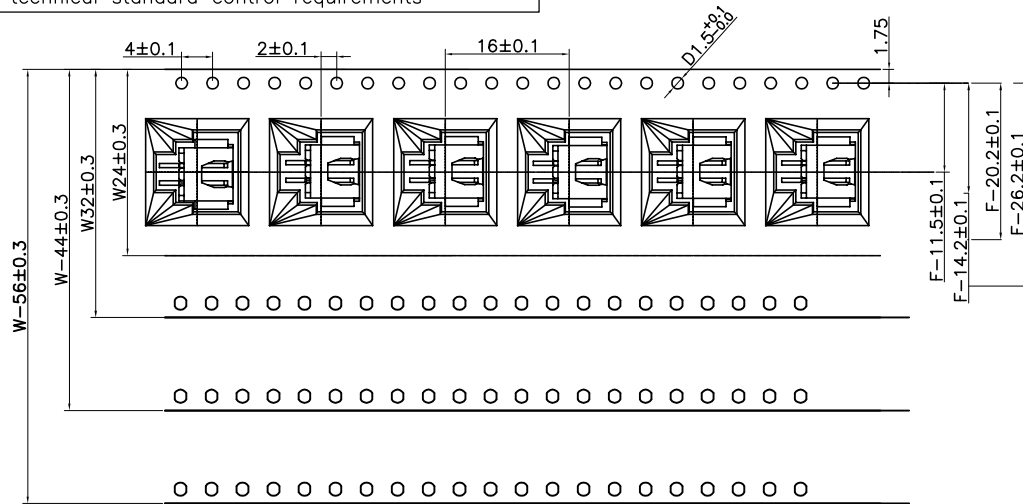
PIN Q'PY:
02~16



Circuits	Dimensions(mm)				Circuits	Dimensions(mm)			
	A	B	C	D		A	B	C	D
02	2.50	7.50	6.00	3.65	10	22.50	27.50	26.00	20.00
03	5.00	10.00	8.50	2.50	11	25.00	30.00	28.50	22.50
04	7.50	12.50	11.00	5.00	12	27.50	32.50	31.00	25.00
05	10.00	15.00	13.50	7.50	13	30.00	35.00	33.50	27.50
06	12.50	17.50	16.00	10.00	14	32.50	37.50	36.00	30.00
07	15.00	20.00	18.50	12.50	15	35.00	40.00	38.50	32.50
08	17.50	22.50	21.00	15.00	16	37.50	42.50	41.00	35.00
09	20.00	25.00	23.50	17.50					

REV.	REVISION RECORD	DATE	GENERAL TOLERANCES		SCALE:	NAME	DATE	PART.NO:	DWG.NO:	 WanLian Technology Co., Ltd REV: A1 SHEET: 1/2
A0	NEW RELEASE	21.01.13		LINEAR	1:1	Wang_jr	23.10.09	A2501W91-1XX2XX0	ENDE05	
A1	PART NUMBER RENEWAL	23.10.09		ANGLES						
			UNIT:mm	0.00±0.25	X'±3'	DESIGNER	Han_Gao	23.10.09	TITLE:	
			SIZE: A4	0.000±0.10	X'X' ±2'	DRAWN	Longcan_Liu	23.10.09	PITCH2.50mm 90°XH单排卧贴 WAFER	

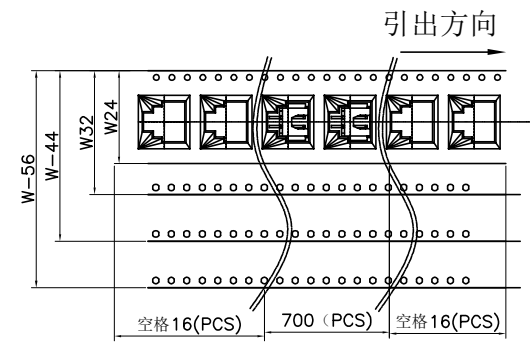
The product using material and processing must conform to the "WI-PZ-001" HSF technical standard control requirements



1. 上带剥离力:


A	15°~0°
F	20°~70°(g)
2. 带子预空格:

A	15°~0°
F	20°~70°(g)



3. 载带材料规格: PS 白色料抗静电, 厚度 0.30mm.

Circuits	载带尺寸			Circuits	载带尺寸			卷装包装明细表			
	W	B0	F		W	B0	F	PIN位	每卷包装数	每件盘数	每件数量
02	24.0	10.25	11.50	14	56.0	40.25	26.20	02-04	700(PCS)	14 (盘)	9.8(K)
03	24.0	12.75	11.50	16	56.0	45.25	26.20	05-06	700(PCS)	11 (盘)	7.7(K)
04	24.0	15.25	11.50					07-08	700(PCS)	8 (盘)	5.6(K)
05	32.0	17.75	14.20								
06	32.0	20.25	14.20								
07	44.0	22.75	20.20								
08	44.0	25.25	20.20								
09	44.0	27.75	20.20								
10	44.0	30.25	20.20								
11	44.0	32.75	20.20								

REV.	REVISION RECORD	DATE	☉	GENERAL TOLERANCES		SCALE: 1:1	NAME	DATE	PART.NO:	DWG.NO:	 WanLian Technology Co., Ltd
A0	NEW RELEASE	21.01.13		LINEAR	ANGLES	APPROVED	Wang_jr	23.10.09	A2501W91-1XX2XX0	ENDE05	
A1	PART NUMBER RENEWAL	23.10.09	UNIT:mm	0.00±0.25	X'±3'	DESIGNER	Han_Gao	23.10.09	TITLE:	REV: A1	SHEET: 2/2
			SIZE: A4	0.000±0.10	X'X' ±2'	DRAWN	Longcan_Liu	23.10.09	PACKAGE DRAWING		