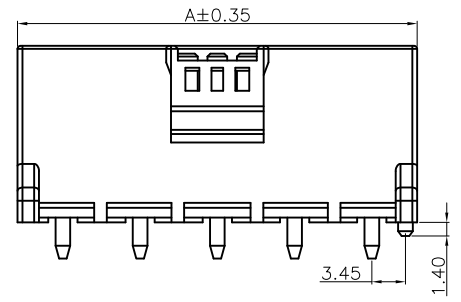
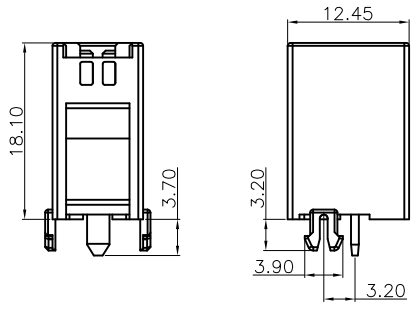
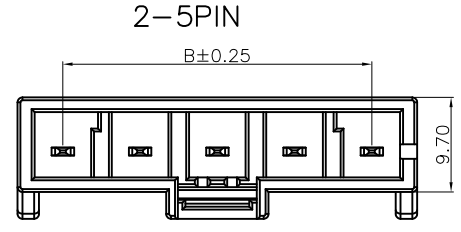
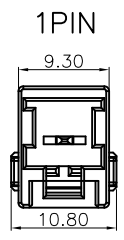
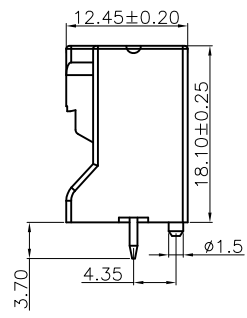
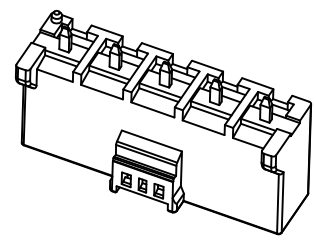


The product using material and processing must conform to the "WL-PZ-001"HSF technical standard control requirements

RoHS+HF

NOTE:
 1.MATERIAL SPECIFICATION:
 1-1.HOUSING: PA66+30%,UL94V-0
 1-2.CONTACTS: BRASS
 2.PLATING SPECIFICATION:
 2-1.CONTACTS:
 TIN/GOLD FLASH PLATED OVER ALL.
 3.MECHANICAL PERFORMANCE:
 3-1.Retentivity Force: 12KGF/Pin Min
 3-2.DURABILITY: 30 CYCLES.
 4.ELECTRICAL PERFORMANCE:
 4-1.CURRENT RATING: XXA AC/DC
 RATED VOLTAGE : 600V AC/DC
 4-2.CONTACT RESISTANCE: 5 mΩ MAX
 4-3.INSULATION RESISTANCE: 1000MΩ Min
 4-4.DIELECTRIC WITHSTANDING : 2500V
 5.ENVIRONMENTAL PERFORMANCE:
 5-1.OPERATING TEMPERATURE: -35°C~+90°C.
 6.PACKAGE SPEC: BOX

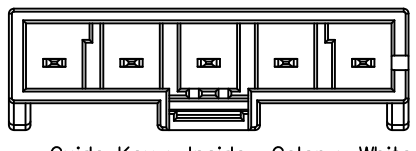


7.P/N: A7925 W 0-1 XX 1 X X 0
 SERIES NO: _____
 CONNECTOR: W-WAFER
 ANGLE: 0-180°
 ROW NO: 1-SINGLE ROW
 PIN Q' PY: 01~05
 COLOR:
 A-BLACK
 K-WHITE
 C-RED
 PLATING:
 A-ALL AU G/F
 C-BRIGHT TIN
 D-MATTE TIN
 TERMIPOINT:
 1-DIP

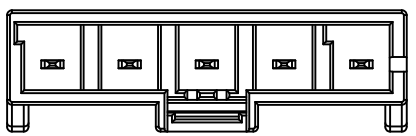
Specification:

Circuit	10 AWG	12 AWG	14 AWG	16 AWG
1	30A	25A	20A	15A
2	25A	20A	18A	15A
3	25A	20A	18A	15A
4	22A	18A	15A	13A
5	22A	18A	15A	13A

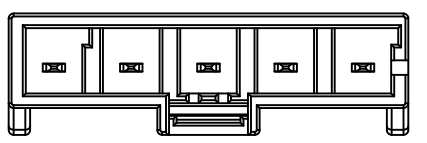
Circuit	Dimensions(mm)	
	A	B
01	/	/
02	17.22	7.92
03	25.14	15.84
04	33.06	23.76
05	40.98	31.68



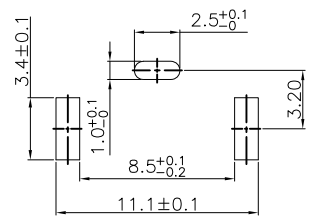
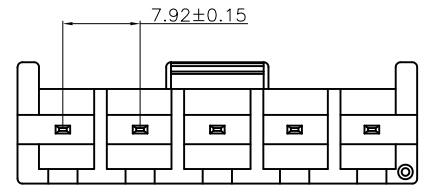
Guide Key : Inside Color : White



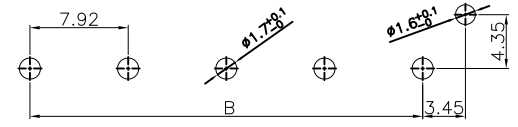
Guide Key : Right Side Color : Black



Guide Key : Left Side, Color : Red



PCB Layout 1 PIN

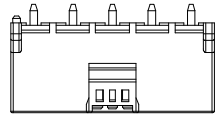


PCB Layout 2-5 PIN

REV.	REVISION RECORD	DATE	GENERAL TOLERANCES		SCALE:	NAME	DATE	PART.NO:	DWG.NO:	 WanLian Technology Co., Ltd
A0	NEW RELEASE	21.11.17	 LINEAR 0.0±0.35	ANGLES X°REF±6°	1:1	Wang_jr	23.8.30	A7925W0-1XX1XX0	ENDE05	
A1	PART NUMBER RENEWAL	23.8.30			UNIT:mm 0.00±0.25	X°±3°	APPROVED	Han_Gao	23.8.30	
			SIZE: A4 0.000±0.10	X°X' ±2°			DESIGNER	Zijun_Huang	23.8.30	

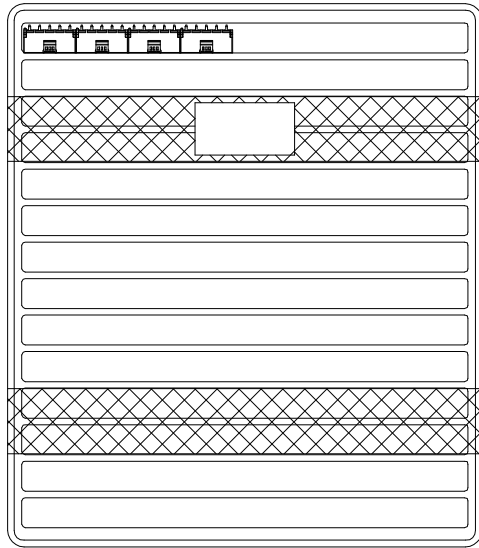
The product using material and processing must conform to the "WL-PZ-001"HSF technical standard control requirements

RoHS+HF

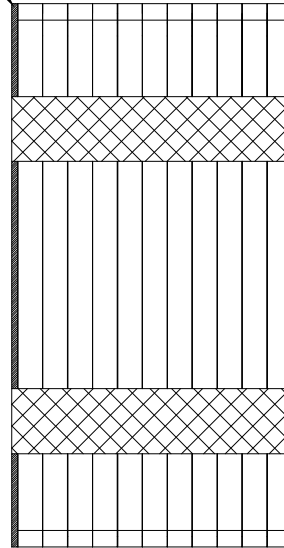


Product

Inner label

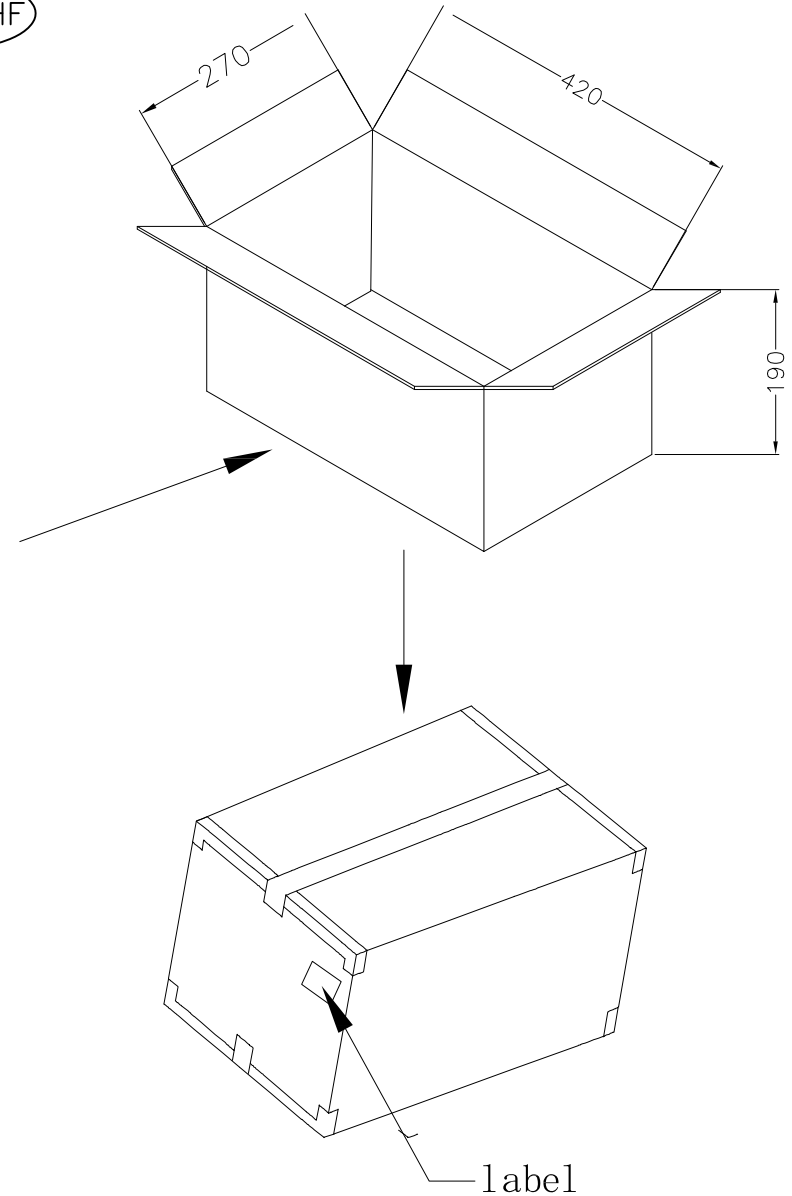


Cover



Blister Box

12 Box/bundle



Circuits	PCS/Box	PCS/Crate
02	182 PCS	2184 PCS
03	126 PCS	1512 PCS
04	98 PCS	1176 PCS
05	70 PCS	840 PCS

REV.	REVISION RECORD	DATE
AO	NEW RELEASE	21.11.17
A1	PART NUMBER RENEWAL	23.8.30

GENERAL TOLERANCES	
LINEAR	ANGLES
0.0±0.35	X°REF±6°
0.00±0.25	X°±3°
0.000±0.10	X°X'±2°

SCALE:	NAME	DATE
1:1	Wang_jr	23.8.30
APPROVED	Han_Gao	23.8.30
DESIGNER	Zijun_Huang	23.8.30

PART.NO:	DWG.NO:
A7925W0-1XX1XX0	ENDE05
TITLE: Pitch 7.92mm 180° 单排带扣立插 Wafer 包规图	


 WanLian Technology Co., Ltd
 REV: A1 SHEET: 2/2