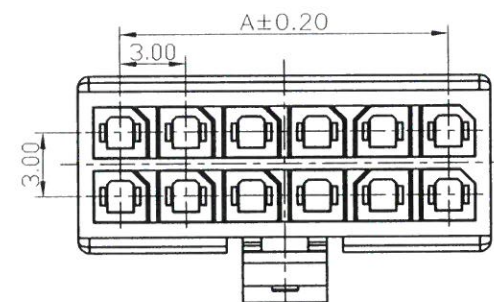
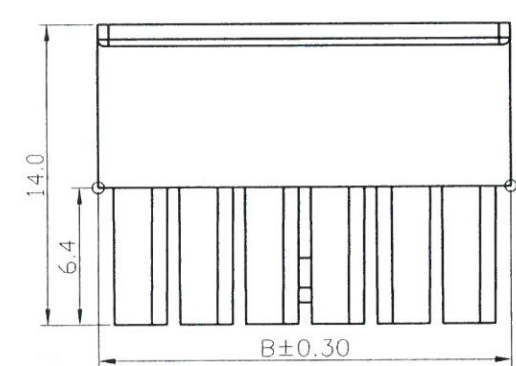
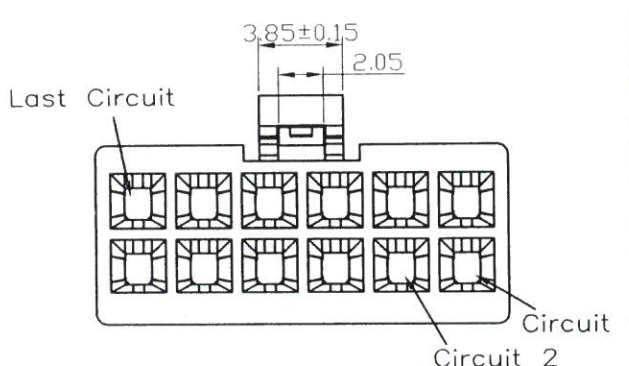


1 2 3 4 5 6 7 8

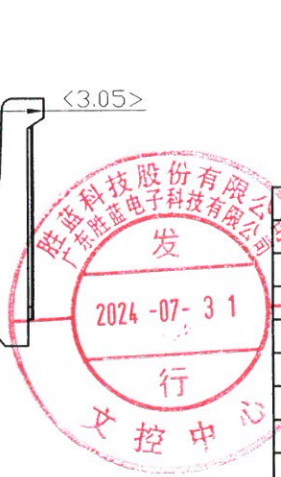
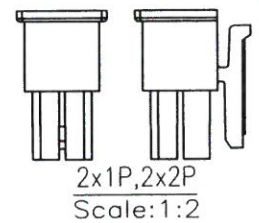
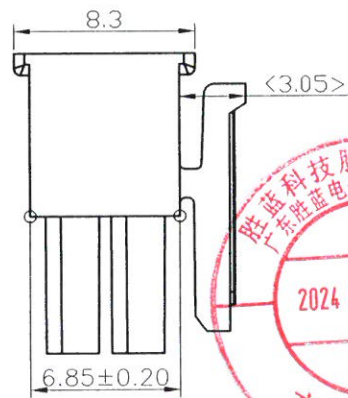


Specifications:
 Rated Voltage : 250V AC/DC
 Rated Current : 5A AC/DC
 Withstand Voltage : 1500V AC/minute
 Contact Resistance : 10mΩ(MAX.)
 Insulation Resistance : 1000MΩ(MIN.)
 The product using material and processing must conform to the "WI-PZ-142" HSF technical standard control requirements

33001H00-2xNPA-F-HF-NK-XX
 ① ② ③ ④ ⑤ ⑥ ⑦ ⑧

- ① Series No.
- ② H00: Up Contact
- ③ No. of Circuits
- ④ X: Product color (A--Y)
Blank: Natural type
A: Black
- ⑤ F: F Type
- ⑥ HF: Halogen Free
- ⑦ NK: No Mark
- ⑧ XX: Letter Type

Circuits Part No	Dimensions	
	A	B
2x1P	—	3.85
2x2P	3.00	6.85
2x3P	6.00	9.85
2x4P	9.00	12.85
2x5P	12.00	15.85
2x6P	15.00	18.85
2x7P	18.00	21.85
2x8P	21.00	24.85
2x9P	24.00	27.85
2x10P	27.00	30.85
2x11P	30.00	33.85
2x12P	33.00	36.85



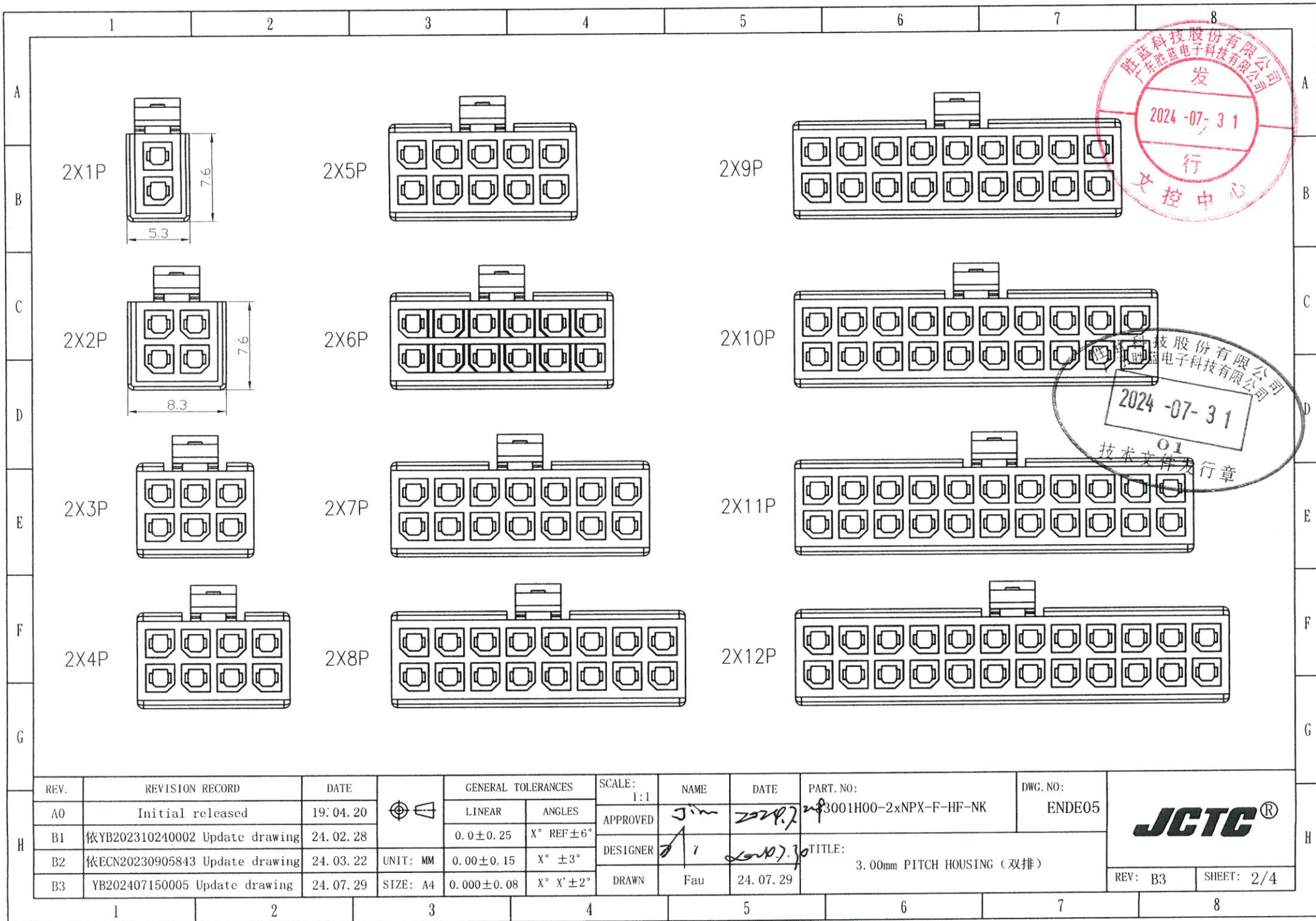
Part No.	Material	Color	Temperature Range
33001H00-2xNPA-F-HF-NK-01	Nylon 66, UL94V-0	Black	-25° C~+85° C
33001H00-2xNPA-F-HF-NK-02	Nylon 66, UL94V-0	Black	
33001H00-2xNPA-F-HF-NK-03	Nylon 66, UL94V-0	Black	
33001H00-2xNPA-F-HF-NK-04	Nylon 66, UL94V-0	Black	
33001H00-2xNPA-F-HF-NK-05	Nylon 66, UL94V-0	Black	
33001H00-2xNPA-F-HF-NK-06	Nylon 66, UL94V-0	Black	
33001H00-2xNPA-F-HF-NK-07	Nylon 66, UL94V-0	Black	
33001H00-2xNPA-F-HF-NK-08	Nylon 66, UL94V-0	Black	
33001H00-2xNPA-F-HF-NK-09	Nylon 66, UL94V-0	Black	
33001H00-2xNPA-F-HF-NK-10	Nylon 66, UL94V-0	Black	
33001H00-2xNPA-F-HF-NK-11	Nylon 66, UL94V-0	Black	
33001H00-2xNPA-F-HF-NK-12	Nylon 66, UL94V-0	Black	
33001H00-2xNPA-F-HF-NK-13	Nylon 66, UL94V-0	Black	
33001H00-2xNPA-F-HF-NK-14	Nylon 66, UL94V-0	Black	
33001H00-2xNPA-F-HF-NK	Nylon 66, UL94V-0	Black	
33001H00-2xNP-F-HF-NK	Nylon 66, UL94V-0	Natural (White)	-40° C~+105° C
33001H00-2xNPA-F-P1-HF-NK	Nylon 66, UL94V-0	Black	


REV.	REVISION RECORD	DATE	GENERAL TOLERANCES	SCALE: 1:1	NAME	DATE	PART. NO:	DWG. NO:
A0	Initial released	19.04.20	L INEAR ANGLES	APPROVED	Jm	2019.7.30	33001H00-2xNPA-F-HF-NK	ENDE05
B1	依YB202310240002 Update drawing	24.02.28	0.0±0.25 X° REF±6°	DESIGNER	J	2024.7.30	TITLE:	3.00mm PITCH HOUSING (双排)
B2	依ECN20230905843 Update drawing	24.03.22	0.00±0.15 X° ±3°	DRAWN	Fau	24.07.29		
B3	YB202407150005 Update drawing	24.07.29	0.000±0.08 X° X'±2°					



REV: B3 SHEET: 1/4

1 2 3 4 5 6 7 8



REV.	REVISION RECORD	DATE		GENERAL TOLERANCES		SCALE: 1:1	NAME	DATE	PART. NO:	DWG. NO:
				LINEAR	ANGLES					
A0	Initial released	19.04.20							3001H00-2xNPX-F-HF-NK	ENDE05
B1	依YB202310240002 Update drawing	24.02.28		0.0±0.25	X° REF±6°		Jin	2024.7		
B2	依ECN20230905843 Update drawing	24.03.22	UNIT: MM	0.00±0.15	X° ±3°		Y	2024.7.10		
B3	YB202407150005 Update drawing	24.07.29	SIZE: A4	0.000±0.08	X° X'±2°		Fau	24.07.29	TITLE: 3.00mm PITCH HOUSING (双排)	

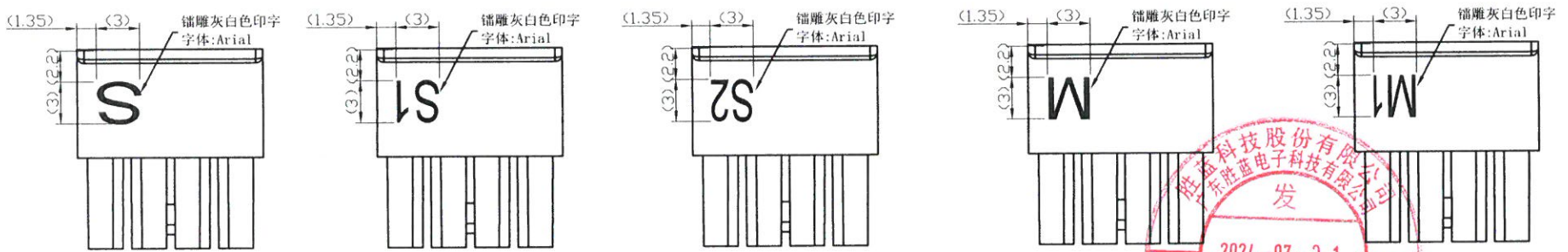
JCTC®

REV: B3 SHEET: 2/4

1 2 3 4 5 6 7 8

A

2x2~2x12P 33001H00-2xNPA-F-HF-NK-01 2x2~2x12P 33001H00-2xNPA-F-HF-NK-02 2x2~2x12P 33001H00-2xNPA-F-HF-NK-03 2x2~2x12P 33001H00-2xNPA-F-HF-NK-04 2x2~2x12P 33001H00-2xNPA-F-HF-NK-05

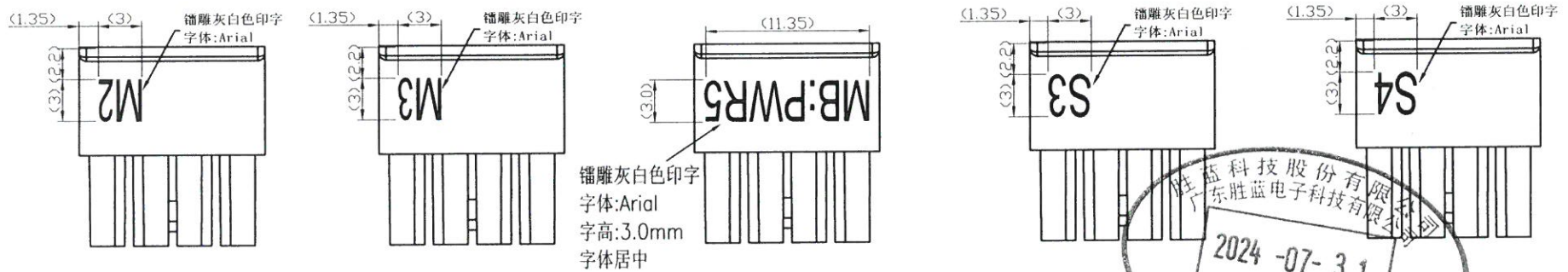


B

C

D

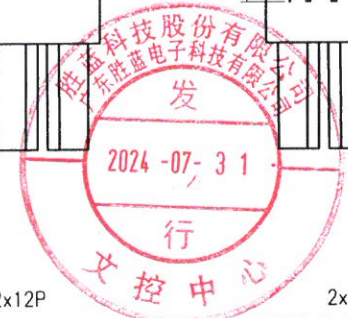
2x2~2x12P 33001H00-2xNPA-F-HF-NK-06 2x2~2x12P 33001H00-2xNPA-F-HF-NK-07 2x4~2x12P 33001H00-2xNPA-F-HF-NK-08 2x2~2x12P 33001H00-2xNPA-F-HF-NK-09 2x2~2x12P 33001H00-2xNPA-F-HF-NK-10



E

F

G



REV.	REVISION RECORD	DATE	①	GENERAL TOLERANCES		SCALE: 1:1	NAME	DATE	PART. NO:	DWG. NO:
				LINEAR	ANGLES					
A0	Initial released	19.04.20		0.0 ± 0.25	X° REF ± 6°	APPROVED	Jin	2020.7.30	33001H00-2xNPX-F-HF-NK	ENDE05
B1	依YB202310240002 Update drawing	24.02.28		0.00 ± 0.15	X° ± 3°	DESIGNER	Y	2024.7.30	TITLE: 3.00mm PITCH HOUSING (双排)	REV: B3 SHEET: 3/4
B2	依ECN20230905843 Update drawing	24.03.22	UNIT: MM	0.00 ± 0.15	X° ± 3°	DRAWN	Fau	24.07.29		
B3	YB202407150005 Update drawing	24.07.29	SIZE: A4	0.000 ± 0.08	X° X' ± 2°					



1 2 3 4 5 6 7 8

A

B

C

D

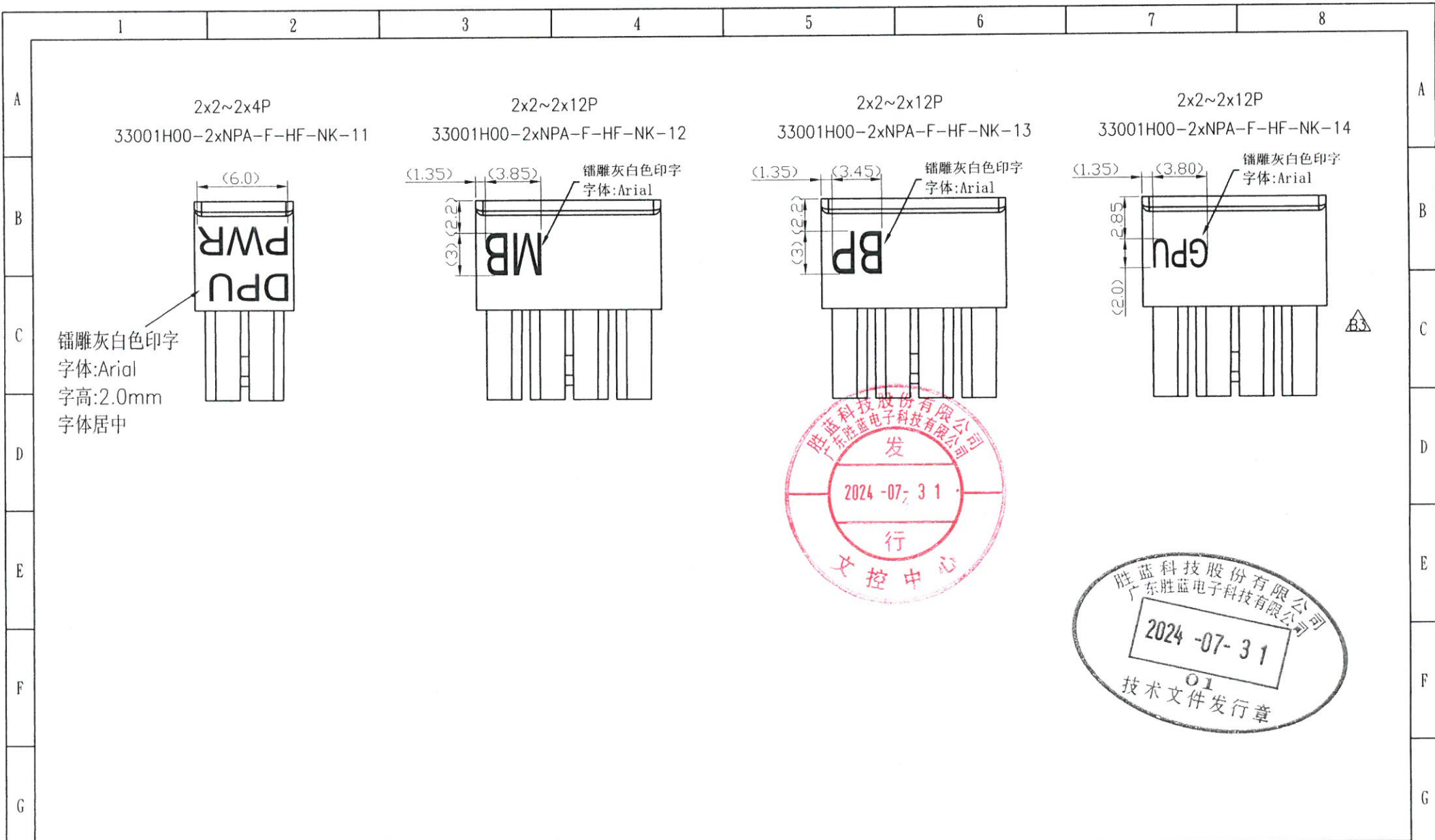
E

F

G

H

H



REV.	REVISION RECORD	DATE	④	GENERAL TOLERANCES		SCALE: 1:1	NAME	DATE	PART. NO:	DWG. NO:	
				LINEAR	ANGLES						
A0	Initial released	19.04.20		0.0±0.25	X° REF±6°	APPROVED	<i>[Signature]</i>	2024.7.30	33001H00-2xNPX-F-HF-NK	ENDE05	
B1	依YB202310240002 Update drawing	24.02.28		0.00±0.15	X° ±3°	DESIGNER	<i>[Signature]</i>	2024.7.30	TITLE: 3.00mm PITCH HOUSING (双排)	REV: B3	
B2	依ECN20230905843 Update drawing	24.03.22	UNIT: MM	0.00±0.08	X° X'±2°	DRAWN	Fau	24.07.29			SHEET: 4/4
B3	YB202407150005 Update drawing	24.07.29	SIZE: A4								