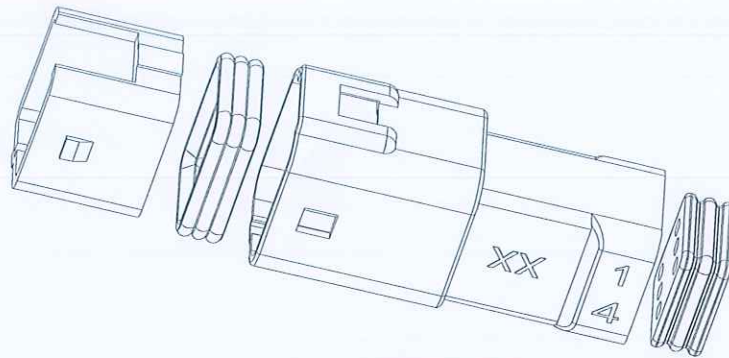
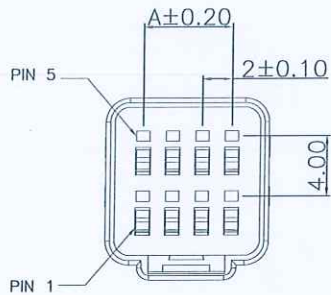


The product using material and processing must conform to the "WL-PZ-001"HSF technical standard control requirements

RoHS



NOTE:

- 1.MATERIAL SPECIFICATION:
 - 1-1.HOUSING: PBT,UL94V-0
- 2.ELECTRICAL PERFORMANCE:
 - 2-1.CURRENT RATING: 3A AC/DC
 - RATED VOLTAGE : 100V AC/DC
 - 2-2.CONTACT RESISTANCE: 10 mΩ MAX
 - 2-3.INSULATION RESISTANCE: 1000MΩ Min
 - 2-4.DIELECTRIC WITHSTANDING : 1000V
- 3.ENVIRONMENTAL PERFORMANCE:
 - 3-1.OPERATING TEMPERATURE: -40°C~+105°C.
- 4.WIRE RANGE:22AWG~24AWG(OD:1.60~1.40MM)
- 5.PACKAGE SPEC: PE BAG
- 6.P/N:

SERIES NO: C2004 H F-2 XX X 0

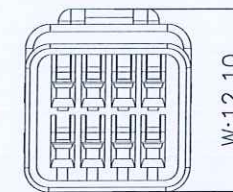
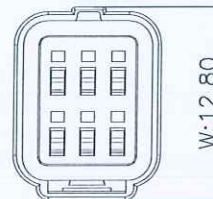
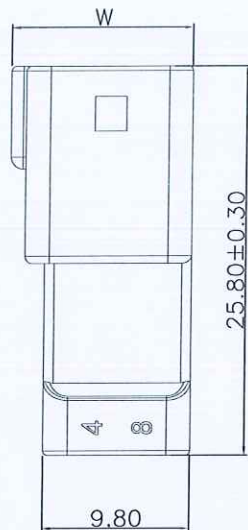
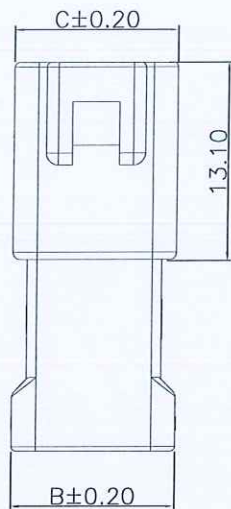
COLOR:
A-BLACK
K-WHITE

CONNECTOR:
H-HOUSING

MALE FEMALE:
F-FEMALE

PIN Q' PY:
06~12

ROW NO:
2-DOUBLE ROW



NO.	DIM		
	A	B	C
2X3P	4.00	8.80	9.80
2X4P	6.00	11.00	11.00
2X5P	8.00	13.00	13.00
2X6P	10.00	15.00	15.00

REV.	REVISION RECORD	DATE	UNIT: mm	GENERAL TOLERANCES		SCALE: 1:1	NAME	DATE	PART.NO:	DWG.NO:	REV: A0	SHEET: 1/1
A0	NEW RELEASE	25.12.10		SIZE: A4	LINEAR	ANGLES	APPROVED			C2004HF-2XXX0		
				0.0±0.35	X'REF±6°	DESIGNER	8/8/2026	26.3.5				
				0.00±0.25	X'±3°	DRAWN	刘芝娟	26.03.05	TITLE:			
				0.000±0.10	X'X' ±2°		黄路娟	26.03.25	Pitch2.00mm JWPF线对线防水IP67 Female Housing			

