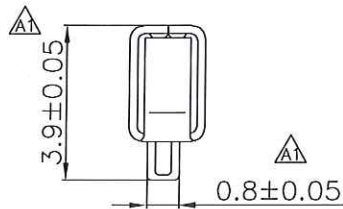
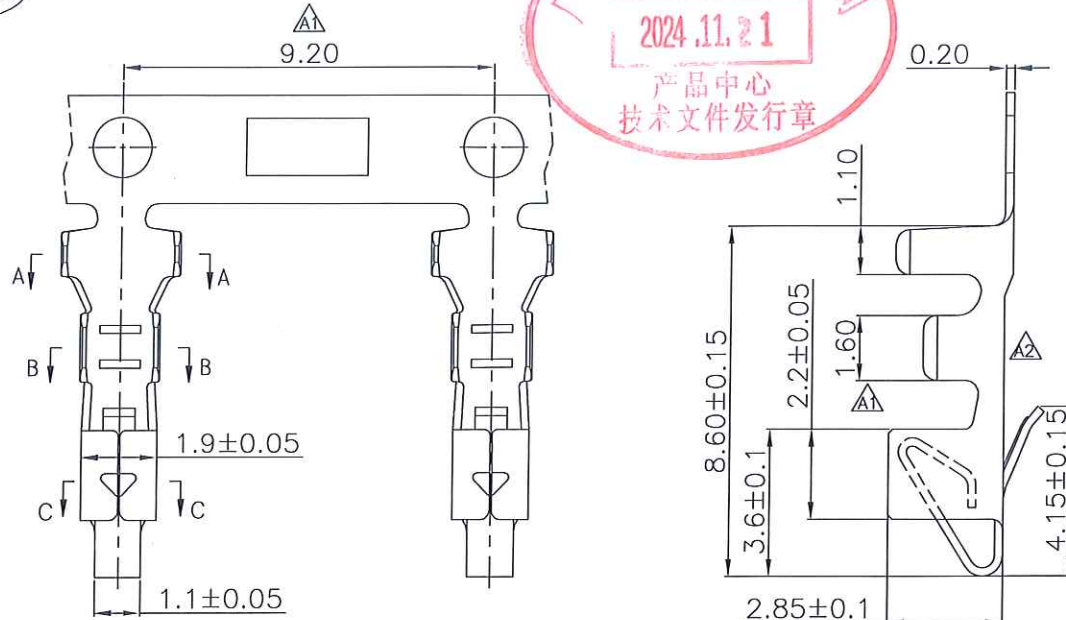
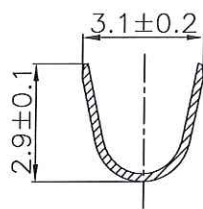


The product using material and processing must conform to the "WI-PZ-001"HSF technical standard control requirements

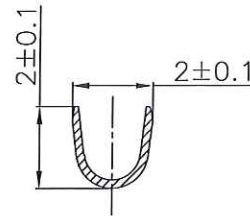
ROHS



SECTION C-C



SECTION A-A



SECTION B-B

NOTE:

- 1.MATERIAL SPECIFICATION:
  - 1-1.CONTACTS: PHOSPHOR BRONZE
- 2.PLATING SPECIFICATION:
  - 2-1.CONTACTS: TIN/GOLD FLASH PLATED OVER ALL.
- 3.MECHANICAL PERFORMANCE:
  - 3-1.RETENTIVITY FORCE: 2.0KGf/pin min
  - 3-2.DURABILITY: 50 CYCLES.
- 4.ELECTRICAL PERFORMANCE:
  - 4-1.CURRENT RATING: 3A
  - RATED VOLTAGE : 250V AC/DC
  - 4-2.CONTACT RESISTANCE: 20 mΩ MAX
  - 4-3.INSULATION RESISTANCE: 500 MΩ Min
  - 4-4.DIELECTRIC WITHSTANDING : 1500V
- 5.ENVIRONMENTAL PERFORMANCE:
  - 5-1.OPERATING TEMPERATURE: -40°C~+105°C.
- 6.P/N:

SERIES NO: C2521 T 1 F X-X  
 CONNECTOR: T F X-X  
 TYPE CODE: T F X-X  
 MALE FEMALE: F-FEMALE M-MALE  
 PLATING:  
 1-G/F  
 A-ALL AU G/F  
 C-BRIGHT TIN  
 D-MATTE TIN  
 METAL:  
 P-PHOSPHOR BRONZE  
 B-BRASS

Ordering Information & Specification:

Wire Range	Insulation O.D	Qty/Reel
AWG #22~#28	1.0~1.80mm	5000 pcs

REV.	REVISION RECORD	DATE	GENERAL TOLERANCES	SCALE:	NAME	DATE	PART.NO:	DWG.NO:	万连科技 WanLian Technology Co., Ltd	
A0	NEW RELEASE	21.01.13	LINEAR	1:1			C2521T1FX-X	ENDE05		
A1	DIMENSIONAL CHANGE	23.03.15	0.0±0.35	APPROVED	丁海	24.11.21				
A2	REMOVE REINFORCEMENT STRIPING	24.11.20	0.00±0.25	DESIGNER	丁海	24.11.21	TITLE:			
			UNIT:mm		DRAWN	黄忠强	Pitch 2.5mm SM磷铜母端子AWG #22~28		REV: A2	SHEET: 1/1
			SIZE: A4							