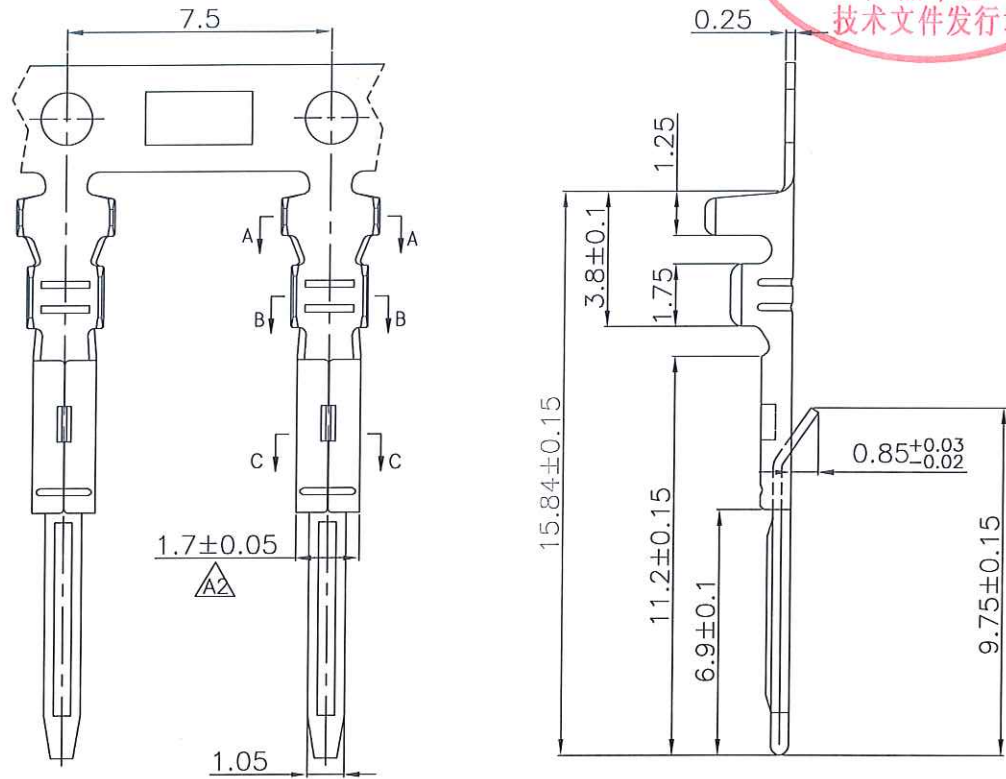




The product using material and processing must conform to the "WI-PZ-001" HSF technical standard control requirements

RoHS



NOTE:

1. MATERIAL SPECIFICATION:
 - 1-1. CONTACTS: PHOSPHOR BRONZE
2. PLATING SPECIFICATION:
 - 2-1. CONTACTS: TIN/GOLD FLASH PLATED OVER ALL.
3. MECHANICAL PERFORMANCE:
 - 3-1. RETENTIVITY FORCE: 2.0KGF/pin min
 - 3-2. DURABILITY: 50 CYCLES.
4. ELECTRICAL PERFORMANCE:
 - 4-1. CURRENT RATING: 3A
 - RATED VOLTAGE : 250V AC/DC
 - 4-2. CONTACT RESISTANCE: 20 mΩ MAX MAX
 - 4-3. INSULATION RESISTANCE: 500 MΩ Min
 - 4-4. DIELECTRIC WITHSTANDING : 1500V
5. ENVIRONMENTAL PERFORMANCE:
 - 5-1. OPERATING TEMPERATURE: -40°C~+105°C.
6. PACKAGE SPEC: REEL PACKING
7. P/N:

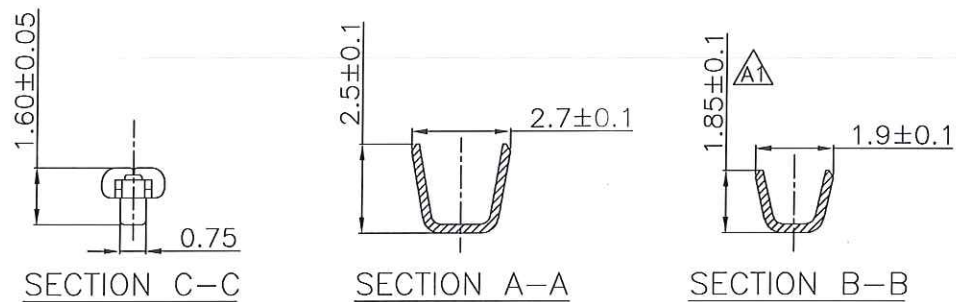
C2521 T 1 M X-X

SERIES NO: _____ PLATING:
 1-G/F
 A-ALL AU G/F
 C-BRIGHT TIN
 D-MATTE TIN

CONNECTOR: _____
 T-TERMINAL

TYPE CODE _____

MALE FEMALE: _____ METAL:
 F-FEMALE P-PHOSPHOR BRONZE
 M-MALE B-BRASS



Ordering Information & Specification:

Wire Range	Insulation O.D.	Material	Finish	Qty/Reel
AWG #22~#28	1.0~1.80mm	Phosphor bronze	Sn-plated	9000 pcs

REV.	REVISION RECORD	DATE	GENERAL TOLERANCES	SCALE:	NAME	DATE	PART.NO:	DWG.NO:	 WanLian Technology Co., Ltd REV: A2 SHEET: 1/1
A0	NEW RELEASE	21.01.13	LINEAR	1:1			C2521T1MX-X	ENDE05	
A1	DIMENSIONAL CHANGE	23.03.15	0.0±0.35	APPROVED	2/8/24	24.11.21			
A2	DIMENSIONAL CHANGE	23.11.21	0.00±0.25	DESIGNER	JFB	24.11.21	TITLE:		
			0.00±0.10	DRAWN	黄恩娟	24.11.21	Pitch 2.5mm 磷铜公端子		