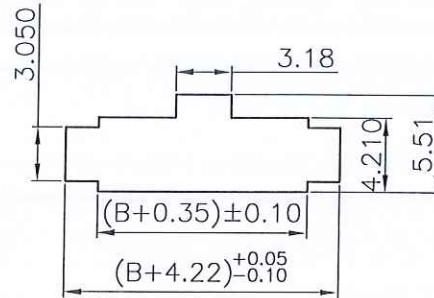
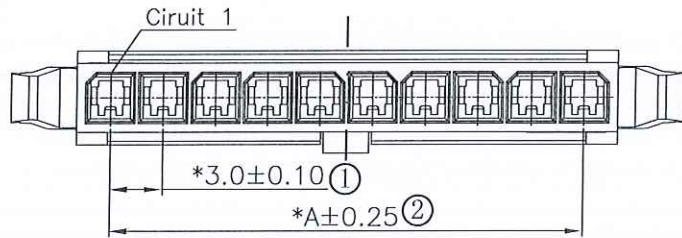


The product using material and processing must conform to the "WI-PZ-001"HSF technical standard control requirements

RoHS

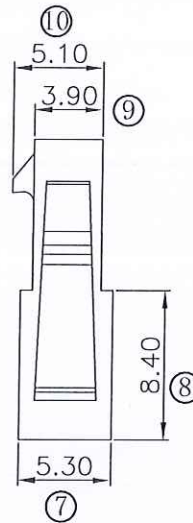
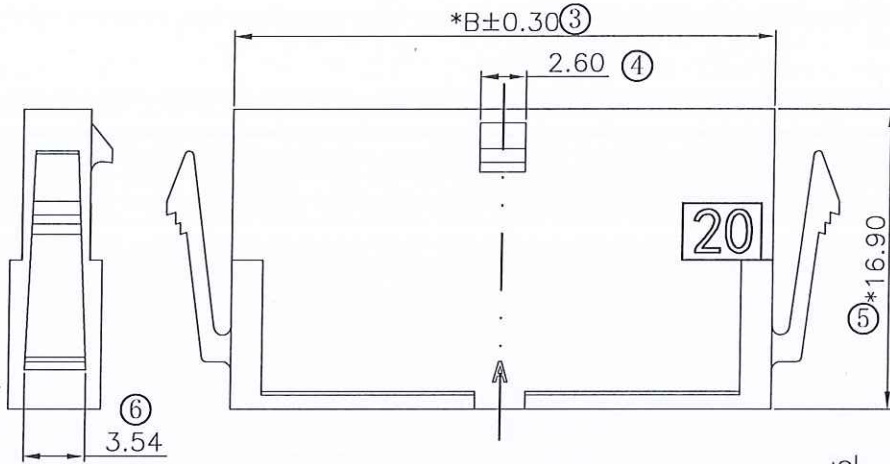


RECOMMENDED PANEL DIMENSIONS

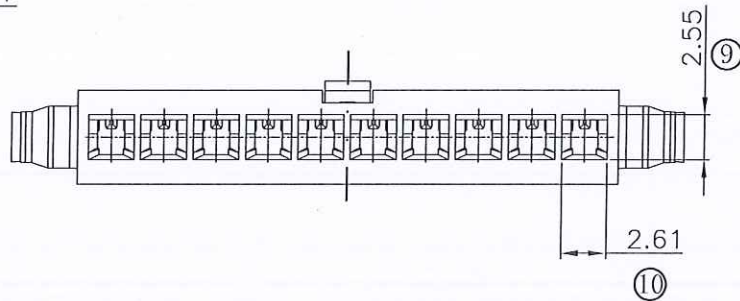


NOTE:

- 1.MATERIAL SPECIFICATION:
  - 1-1.HOUSING: PA66
- 2.ELECTRICAL PERFORMANCE:
  - 2-1.INSULATION RESISTANCE: 1000MΩ Min
  - 2-2.DIELECTRIC WITHSTANDING : 1000V
- 3.ENVIRONMENTAL PERFORMANCE:
  - 3-1.OPERATING TEMPERATURE: -25°C~+85°C.
- 4.PACKAGE SPEC: PE BAG
- 5.P/N:



SERIES NO: C3030 H F-1 XX X X  
 HOUSING: 1-UL94V-0, 2-UL94V-2  
 COLOR: A-BLACK, S-NATURE  
 CONNECTOR: H-HOUSING  
 MALE FEMALE: F-FEMALE  
 ROW NO: 1-SINGLE ROW  
 PIN Q'PY: 02~12



Ordering Information & Dimensions

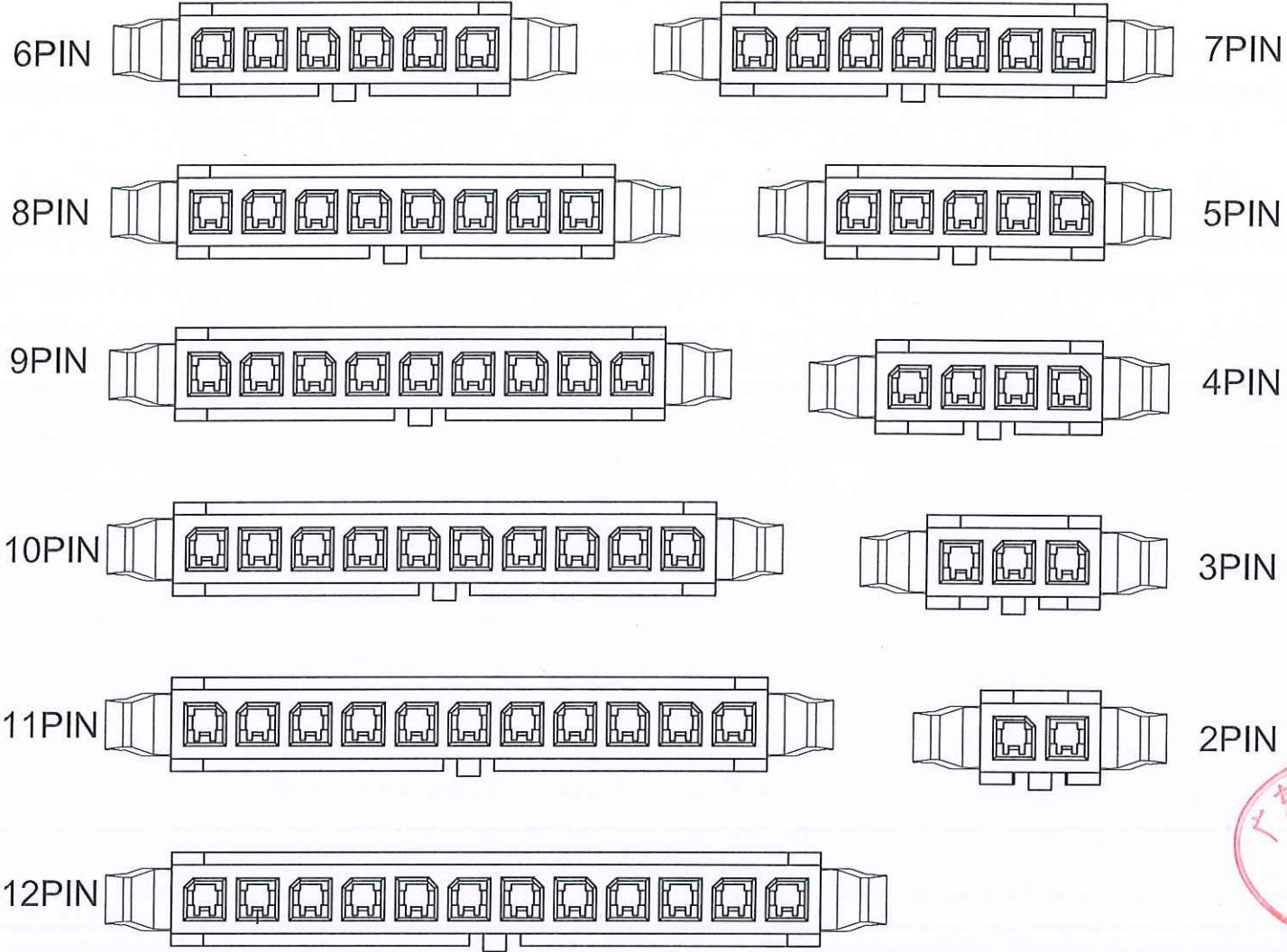
Circuit	Dimensions(mm)		Circuit	Dimensions(mm)	
	A	B		A	B
02	3.00	6.95	08	21.00	24.95
03	6.00	9.95	09	24.00	27.95
04	9.00	12.95	10	27.00	30.95
05	12.00	15.95	11	30.00	33.95
06	15.00	18.95	12	33.00	36.95
07	18.00	21.95			

REV.	REVISION RECORD	DATE	UNIT: mm	GENERAL TOLERANCES		SCALE: 1:1	NAME	DATE	PART.NO:	DWG.NO:	WanLian Technology Co., Ltd	
AO	NEW RELEASE	26.05.12		SIZE: A4	LINEAR	ANGLES	APPROVED	刘世焯	26.5.12	C3030HF-1XXXX		ENDE05
				0.0±0.35	X'REF±6'	DESIGNER	黄樱馨	26.05.12	TITLE:		REV: AO	SHEET: 1/3
				0.00±0.25	X'±3'	DRAWN	HUANG JUAN	26.05.12	Pitch3.00mm 180°单排带扣带翅膀母胶壳			
				0.000±0.10	X'X'±2'							

The product using material and processing must conform to the "WI-PZ-001"HSF technical standard control requirements

### 孔位图

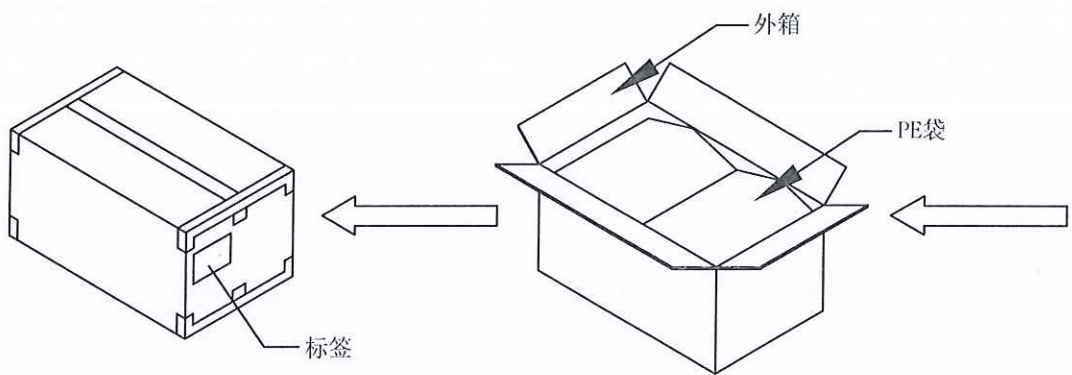
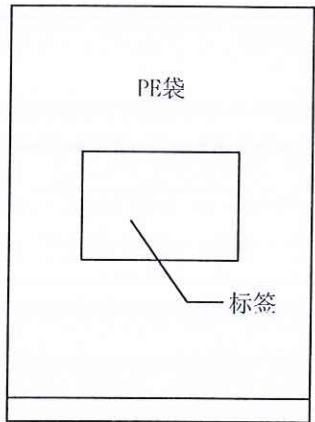
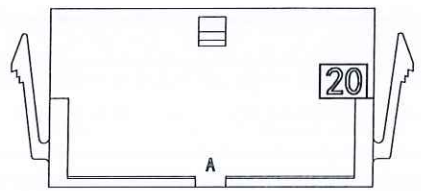
RoHS



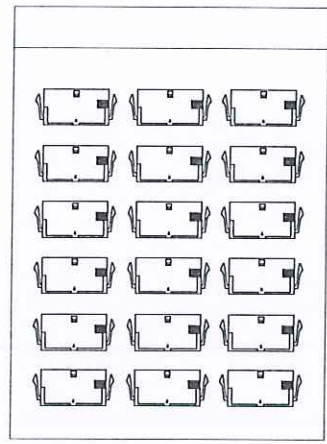
REV.	REVISION RECORD	DATE		GENERAL TOLERANCES		SCALE: 1:1	NAME	DATE	PART.NO:	DWG.NO:	 WanLian Technology Co., Ltd	
AO	NEW RELEASE	26.05.12		LINEAR	ANGLES	APPROVED	刘生焜	26.05.12	C3030HF-1XXXX	ENDE05		
			UNIT:mm	0.00±0.25	X'REF±6'	DESIGNER	黄煜鑫	26.05.12	TITLE:		REV: AO	SHEET: 2/3
			SIZE: A4	0.000±0.10	X'X' ±2'	DRAWN	HUANG JUAN	26.05.12	Pitch3.00mm 180°单排带扣带翅螺母胶壳无LOGO			

The product using material and processing must conform to the "WI-PZ-001"HSF technical standard control requirements

RoHS



纸箱规格: 465\*315\*426MM



Circuit	Bag Pcs	CARTON Bag	CARTON Pcs
02	1K	30	30K
03	1K	30	30K
04	1K	30	30K
05	1K	25	25K
06	1K	20	20K
07	1K	20	20K
08	1K	20	20K
09	1K	15	15K
10	1K	15	15K
11	1K	10	10K
12	1K	10	10K

注意事项:

1. 产品不可少数、多数;
2. 内外包装均需有数量标签;
3. 不同PIN位包装时须分开放置不可装入同一外箱中。
4. 同一订单尾数包装需用不影响品质之物品填充并注明尾数。

REV.	REVISION RECORD	DATE	GENERAL TOLERANCES		SCALE: 1:1	NAME	DATE	PART.NO:	DWG.NO:
A0	NEW RELEASE	26.05.12	LINEAR	ANGLES	APPROVED	刘艺焜	26.5.12	C3030HF-1XXXX	ENDE05
			0.0±0.35	X'REF±6'	DESIGNER	黄耀辉	26.05.12	TITLE:	REV: A0
			0.00±0.25	X'±3'	DRAWN	HUANG JUAN	26.05.12	Pitch3.00mm 180°单排带扣带翅膀母胶壳	SHEET: 3/3
			UNIT:mm	0.00±0.25					
			SIZE: A4	0.000±0.10					

